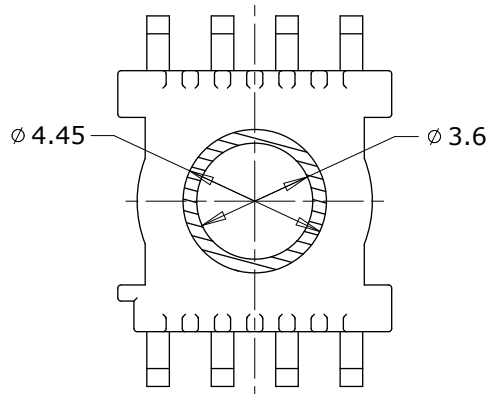
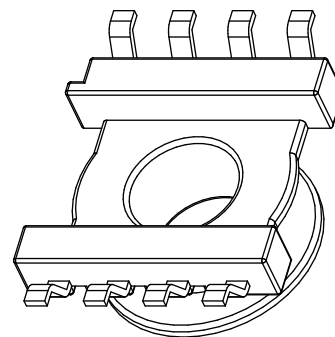
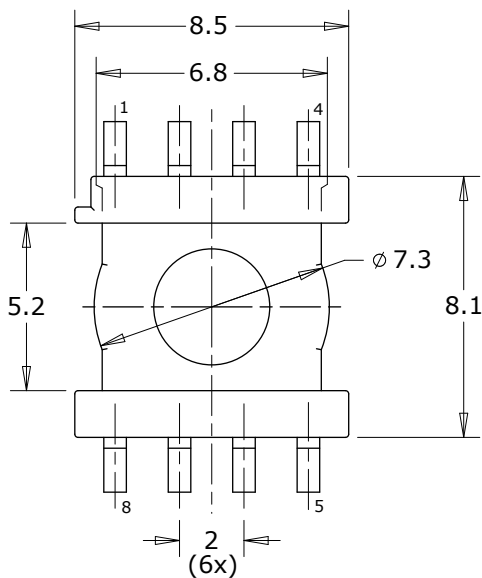
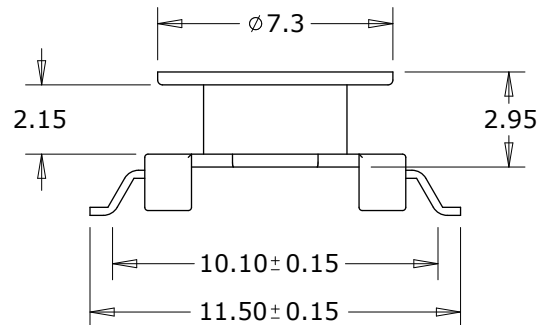
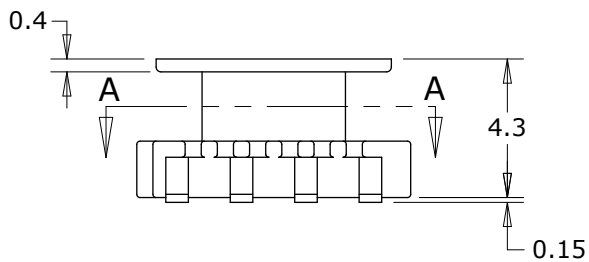
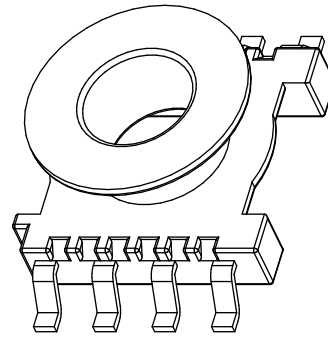


# ER9.5



SECTION A-A



Dimensions in millimetres

DT133 Iss. 3

| Coil Former                  |  |
|------------------------------|--|
| Coil former material         | Liquid crystal polymer (LCP), glass reinforced, flame retardant in accordance with "UL 94V-0"; UL file number E54705 (M) |
| Resistance to soldering heat | "IEC 60068-2-20", Part 2, Test Tb, method 1B, 350 deg. C, 3.5 s  |
| Pin material                 | 0.25 x 0.7 Phosphor bronze - Tin (Sn) plated   |
| Solderability                | "IEC 60068-2-20", Part 2, Test Ta, method 1, 235 deg. C, 2 s   |
| Pin pull out force           | 1.5 Kg Minimum   |
| Part number                  | ER09V1S08GP-00   |

